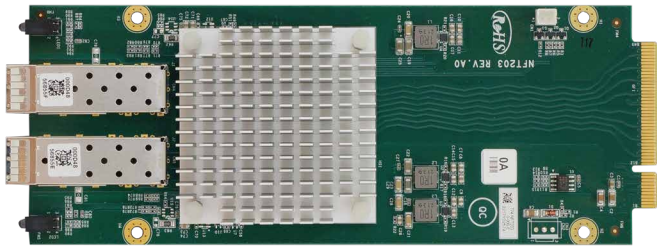


NFT203



► Features

- 1x Broadcom BCM57412
- 2x 10GbE SFP+ Ports
- Support iSCSI,SR-IOV,DPDK



► Introduction

AEWIN NFT203 Network Expansion Module is built upon the Broadcom BCM57412 chipset, featuring 2x 10GbE SFP+ ports. SR-IOV and DPDK supported.

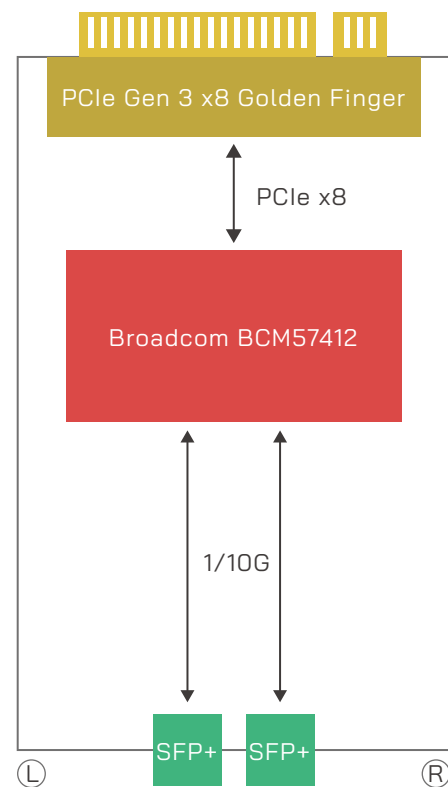
► Specification

Platform	
Form Factor	AEWIN Expansion Module
LAN Controller	1x Broadcom BCM57412
LAN Switch	-
Features	iSCSI,SR-IOV,DPDK
Ethernet Port	2x 10GbE SFP+ Ports
Bypass	-
Bus Type	PCIe Gen 3 x8
Mechanical	Dimension(W x D x H): 74 x 194 x 29 mm Weight(with tray): 320g Weight(without tray): 130g
Environmental	
Operating Environment	Temperature: 0-45°C(32-113°F) Humidity: 20-90% RH
Storage Environment	Temperature: 0 -70°C(14-158°F) Humidity: 5-95% RH @ 55°C
OS Support	Windows, Linux, FreeBSD

► Order Information

NFT203A Broadcom BCM57412,
2x 10GbE SFP+ Ports,
Ports Sequence Right to Left

► Block Diagram



► LED



LED	State	Description
Upper LAN LED (ACT)	Green ■ Yellow ■	Active: Blinking
Down LAN LED (Speed)	Green ■	10 Gbps data rate