

NFQ201



► Features

- 1x Intel® XL710-BM2
- 2x 40GbE QSFP+ Ports
- Support VMDq, SR-IOV, DDP, DPDK
- One pair fiber bypass



► Introduction

AEWIN NFQ201AL/NFQ201BL Network Expansion Module is built upon the Intel® XL710 chipset, featuring 2x 40GbE QSFP+ ports and one pair bypass. SR-IOV functionality is enabled to offer DMA access for virtual machines, as well as DPDK enabled drivers for enhanced packet forwarding performance.

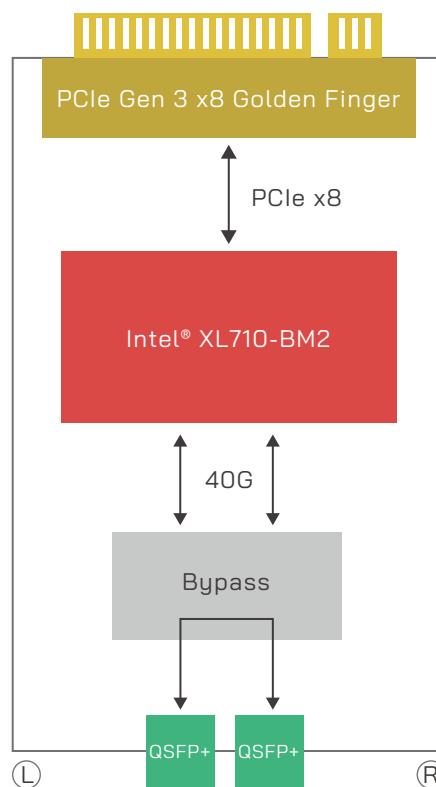
► Specification

Platform	
Form Factor	AEWIN Expansion Module
LAN Controller	1x Intel® XL710-BM2
LAN Switch	-
Features	VMDq, SR-IOV, DDP, DPDK
Ethernet Port	2x 40GbE QSFP+ Ports
Bypass	One pair Bypass
Bus Type	PCIe Gen 3 x8
Mechanical	
Dimension(W x D x H): 74 x 194 x 29 mm	
Weight(with tray): 310g	
Weight(without tray): 120g	
Environmental	
Operating Environment	Temperature: 0-45°C(32-113°F) Humidity: 20-90% RH
Storage Environment	Temperature: 0 -70°C(14-158°F) Humidity: 5-95% RH @ 55°C
OS Support	Windows, Linux, FreeBSD

► Order Information

NFQ201AL	1x Intel XL710-BM2, 2x 40GbE QSFP+ Fiber w/ one pair multi-mode fiber bypass (150m), Port Sequence: Left to Right
NFQ201BL	1x Intel XL710-BM2, 2x 40GbE QSFP+ Fiber w/ one pair single mode fiber bypass (10km), Port Sequence: Left to Right

► Block Diagram



► LED



LED	State	Description
Left LAN LED (LNK)	Green ■	Link: Always on
Right LAN LED (LNK/ACT)	Green ■	Link: Always on
Bypass LED	Orange ■	Bypass enabled