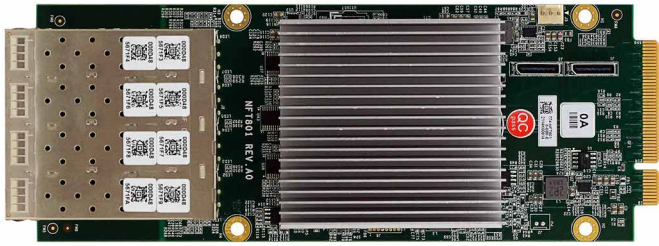


NFT801



► Features

- 1x Intel® E810-CAM2
- 8x 10GbE SFP+ Ports
- Support VMDq, SR-IOV, DDP, DPDK



► Introduction

AEWIN NFT801 Network Expansion Module is built upon the Intel® E810-CAM2 chipset, featuring 8x 10GbE SFP+ ports. SR-IOV functionality is enabled to offer DMA access for virtual machines, as well as DPDK enabled drivers for enhanced packet forwarding performance.

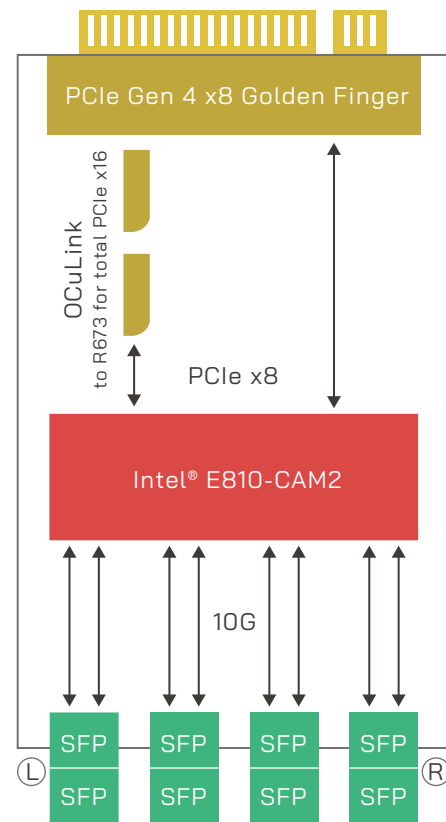
► Specification

Platform	
Form Factor	AEWIN Expansion Module
LAN Controller	1x Intel® E810-CAM2
LAN Switch	-
Features	VMDq, SR-IOV
Ethernet Port	8x 10GbE Fiber Ports
Bypass	-
Bus Type	PCIe Gen 4 x8
Mechanical	
Dimension(W x D x H): 74 x 194 x 29 mm	
Weight(with tray): 420g Weight(without tray): 230g	
Environmental	
Operating Environment	Temperature: 0-45°C(32-113°F) Humidity: 20-90% RH
Storage Environment	Temperature: 0-70°C(32-158°F) Humidity: 5-95% RH @ 55°C
OS Support	Windows, Linux, FreeBSD

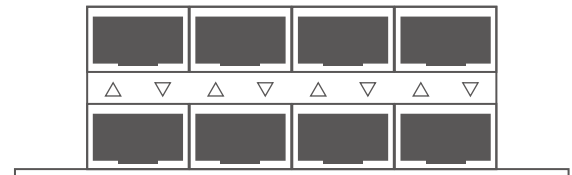
► Order Information

NFT801A 1x Intel® E810-CAM2, 8x 10GbE SFP+ Fiber, Ports Sequence Left to Right

► Block Diagram



► LED

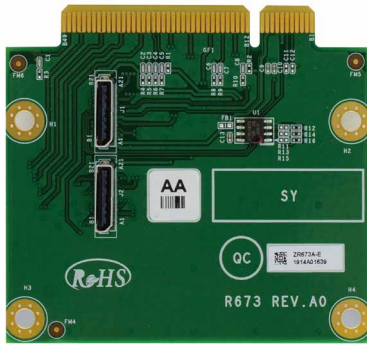


LED	State	Description
LAN LED (LNK/ACT)	Green ■	Link: Always on Active: Blinking

NFT801+R673

► Introduction

R673 Interface expansion card. It utilizes 2x OCuLink connectors to add additional PCIe x8 signal for the host card.



► Block Diagram

