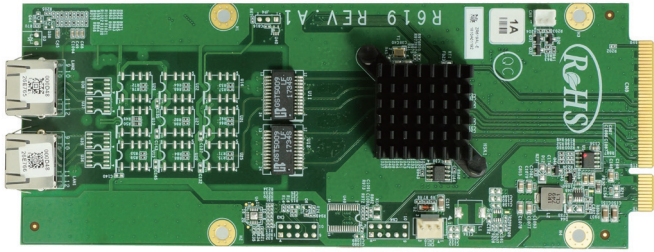


R619

Network Expansion Module



► Features

- 1x Intel® I350-AM2
- 2x 1GbE RJ45 Ports
- 1 Pairs Gen 3 Bypass(optional)
- Support VMDq, SR-IOV



► Introduction

AEWIN R619 Network Expansion Module is built upon the venerable Intel® I350-AM2 chipset, featuring 2x 1GbE RJ45 ports. Available with 1 Pair Bypass ports to fit into different networking requirements. SR-IOV functionality is enabled to offer DMA access for virtual machines.

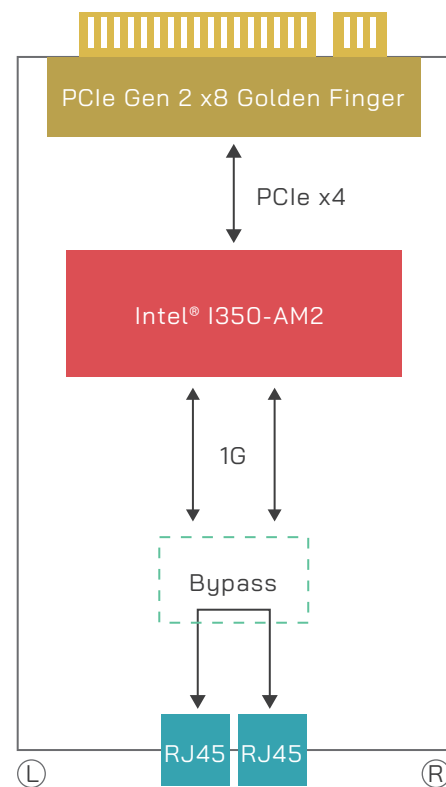
► Specification

Platform	
Form Factor	AEWIN Expansion Module
LAN Controller	1x Intel® I350-AM2
LAN Switch	-
Features	VMDq, SR-IOV
Ethernet Port	2x 1GbE RJ45 Ports
Bypass	1 Pair Gen 3 Bypass(optional)
Bus Type	PCIe Gen 2 x8
Mechanical	
Dimension(W x D x H):	74 x 194 x 29 mm
Weight(with tray):	314g
Weight(without tray):	124g
Environmental	
Operating Environment	Temperature: 0-45°C(32-113°F) Humidity: 20-90% RH
Storage Environment	Temperature: 0 -70°C(14-158°F) Humidity: 5-95% RH @ 55°C
OS Support	Windows, Linux, FreeBSD

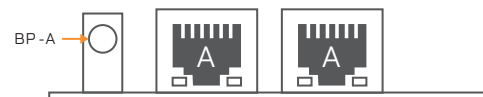
► Order Information

R619A	1x Intel® I350-AM2, 2x 1GbE RJ45 Copper, Ports Sequence Right to Left
R619AL	1x Intel® I350-AM2, 2x 1GbE RJ45 Copper, Ports Sequence Left to Right
R619B	1x Intel® I350-AM2, 2x 1GbE RJ45 Copper, 1 Pair LAN Bypass, Ports Sequence Right to Left
R619BL	1x Intel® I350-AM2, 2x 1GbE RJ45 Copper, 1 Pair LAN Bypass, Ports Sequence Left to Right

► Block Diagram



► LED



LED	State	Description
Left LAN LED (LNK/ACT)	Green <input checked="" type="checkbox"/> (Blink)	Active
	Off <input type="checkbox"/>	No connection
Right LAN LED (Speed)	Green <input checked="" type="checkbox"/>	1Gbps data rate
	Yellow <input checked="" type="checkbox"/>	100Mbps data rate
	Off <input type="checkbox"/>	10Mbps data rate or no connection
Bypass LED	Green <input checked="" type="checkbox"/>	Bypass enabled