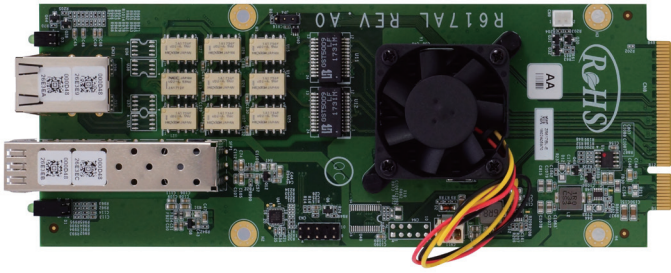


R617

Network Expansion Module



► Features

- 1x Intel® I350-AM4
- 2x 1GbE RJ45 Ports + 2x 1GbE SFP Ports
- 1 Pair Gen 3 Bypass(optional)
- Support VMDq, SR-IOV



► Introduction

AEWIN R617 Network Expansion Module is built upon the venerable Intel® I350-AM4 chipset, featuring 2x 1GbE RJ45 plus 2x 1GbE SFP ports. Available with 1 Pair Bypass ports to fit into different networking requirements. SR-IOV functionality is enabled to offer DMA access for virtual machines.

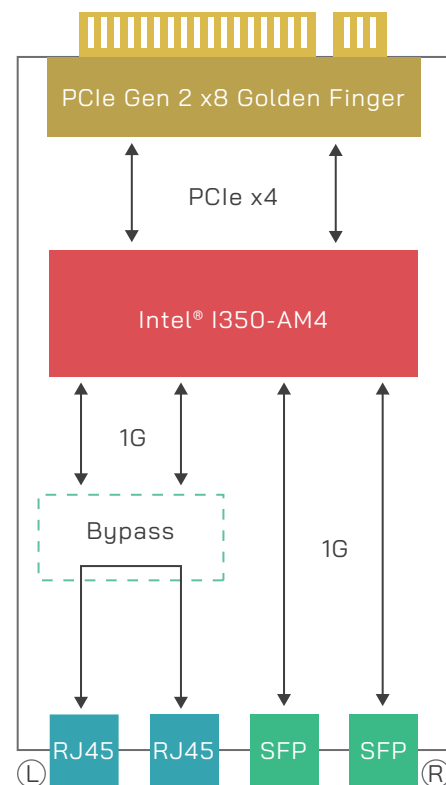
► Specification

Platform	
Form Factor	AEWIN Expansion Module
LAN Controller	1x Intel® I350-AM4
LAN Switch	-
Features	VMDq, SR-IOV
Ethernet Port	2x 1GbE RJ45 2x 1GbE SFP
Bypass	1 Pair Gen 3 Bypass (optional)
Bus Type	PCIe Gen 2 x8
Mechanical	Dimension(W x D x H): 74 x 194 x 29 mm Weight(with tray): 345g Weight(without tray): 155g
Environmental	
Operating Environment	Temperature: 0-45°C(32-113°F) Humidity: 20-90% RH
Storage Environment	Temperature: 0 -70°C(14-158°F) Humidity: 5-95% RH @ 55°C
OS Support	Windows, Linux, FreeBSD

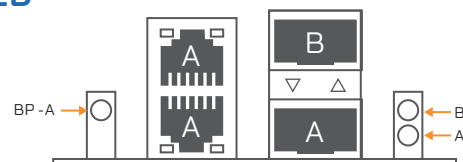
► Order Information

R617A	1x Intel® I350-AM4, 2x 1GbE RJ45 Copper + 2x 1GbE SFP Fiber, Ports Sequence Right to Left
R617AL	1x Intel® I350-AM4, 2x 1GbE RJ45 Copper + 2x 1GbE SFP Fiber, Ports Sequence Left to Right
R617B	1x Intel® I350-AM4, 2x 1GbE RJ45 Copper + 2x 1GbE SFP Fiber, 1 Pair Gen 3 Bypass, Ports Sequence Right to Left
R617BL	1x Intel® I350-AM4, 2x 1GbE RJ45 Copper + 2x 1GbE SFP Fiber, 1 Pair Gen 3 Bypass, Ports Sequence Left to Right

► Block Diagram



► LED



LED	State	Description
RJ45 Left LAN LED (LNK/ACT)	Green ■ (Blink)	Active
	Off <input type="checkbox"/>	No connection
RJ45 Right LAN LED (Speed)	Green ■	1Gbps data rate
	Yellow ■	100Mbps data rate
	Off <input type="checkbox"/>	10 Mbps or no connection
SFP LAN LED (LNK/ACT)	Green ■	Link: Always on
		Active: Blinking
Bypass LED	Green ■	Bypass enabled