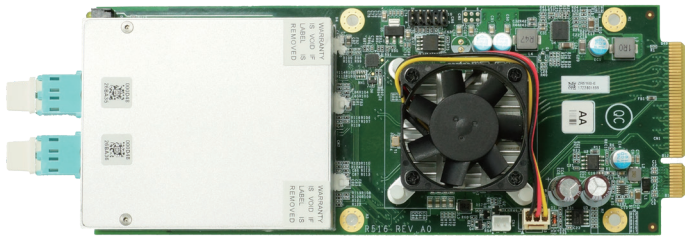


R516

Network Expansion Module



► Features

- 1x Intel® X710-BM2
- 2x 10GbE SFP+ Ports
- 1 Pair Gen 3 Bypass
- Support VMDq, SR-IOV, DDP, DPDK



► Introduction

AEWIN R516 Network Expansion Module is built upon the Intel® X710-BM2 chipset, featuring 2x 10GbE SFP+ ports. Available with 1 Pair Bypass ports to fit into different networking requirements. SR-IOV functionality is enabled to offer DMA access for virtual machines.

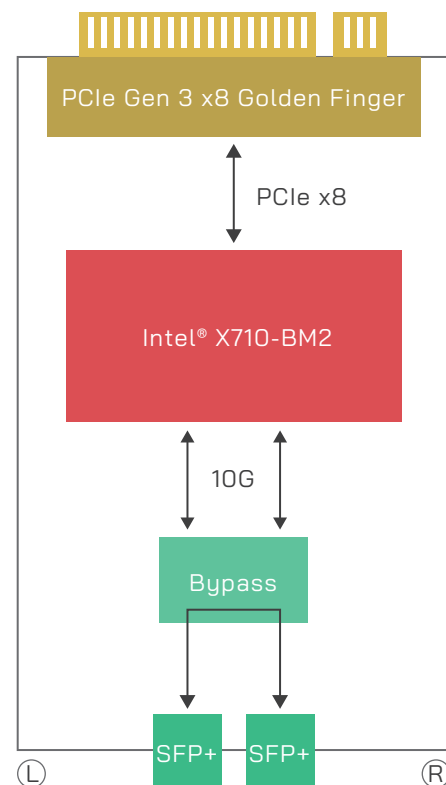
► Specification

Platform	
Form Factor	AEWIN Expansion Module
LAN Controller	1x Intel® X710-BM2
LAN Switch	-
Features	VMDq, SR-IOV, DDP, DPDK
Ethernet Port	2x 10GbE SFP+ Ports
Bypass	1 Pair Gen 3 Bypass
Bus Type	PCIe Gen 3 x8
Mechanical	
Dimension(W x D x H): 74 x 194 x 29 mm	
Weight(with tray): 327g	
Weight(without tray): 137g	
Environmental	
Operating Environment	Temperature: 0-45°C(32-113°F) Humidity: 20-90% RH
Storage Environment	Temperature: 0 -70°C(14-158°F) Humidity: 5-95% RH @ 55°C
OS Support	Windows, Linux, FreeBSD

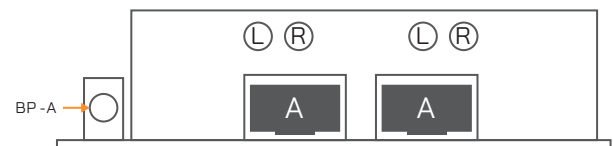
► Order Information

R516B	1x Intel® X710-BM2, 2x 10GbE SFP+ Fiber, 1 Pair Gen 3 Bypass with Multi-mode Transceiver, Ports Sequence Right to Left
R516BL	1x Intel® X710-BM2, 2x 10GbE SFP+ Fiber, 1 Pair Gen 3 Bypass with Multi-mode Transceiver, Ports Sequence Left to Right
R516C	1x Intel® X710-BM2, 2x 10GbE SFP+ Fiber, 1 Pair Gen 3 Bypass with Single-mode Transceiver(20KM), Ports Sequence Right to Left

► Block Diagram



► LED



LED	State	Description
Left LAN LED (Speed)	Blue	10 Gbps data rate
Right LAN LED (LNK/ACT)	Green	Link: Always on Active: Blinking
Bypass LED	Yellow	Bypass enabled