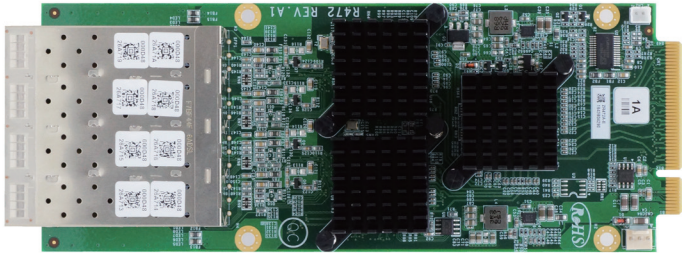


R472

Network Expansion Module



► Features

- 2x Intel® I350-AM4
- 8x 1GbE SFP Ports
- Support VMDq, SR-IOV



► Introduction

AEWIN R472 Network Expansion Module is built upon the venerable Intel® I350-AM4 chipset, featuring 8x 1GbE SFP ports powered by 2x I350 onboard. SR-IOV functionality is enabled to offer DMA access

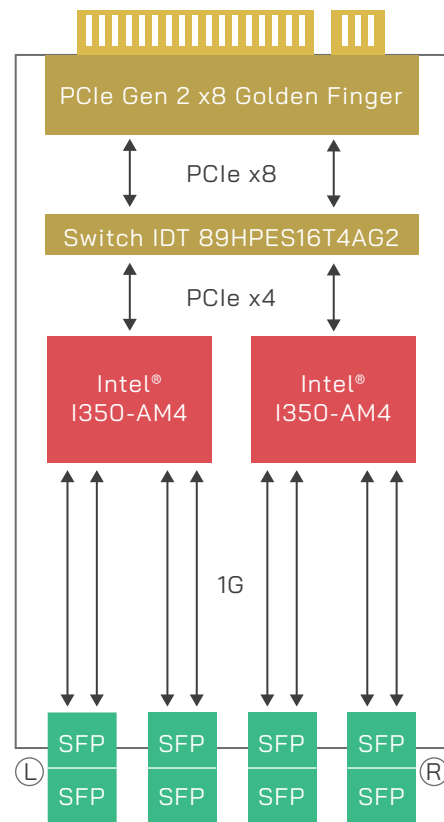
► Specification

Platform	
Form Factor	AEWIN Expansion Module
LAN Controller	2x Intel® I350-AM4
LAN Switch	IDT 89HPES16T4AG2
Features	VMDq, SR-IOV
Ethernet Port	8x 1GbE SFP Ports
Bypass	-
Bus Type	PCIe Gen 2 x8
Mechanical	Dimension(W x D x H): 74 x 194 x 29 mm Weight(with tray): 414g Weight(without tray): 224g
Environmental	
Operating Environment	Temperature: 0-45°C(32-113°F) Humidity: 20-90% RH
Storage Environment	Temperature: 0 -70°C(14-158°F) Humidity: 5-95% RH @ 55°C
OS Support	Windows, Linux, FreeBSD

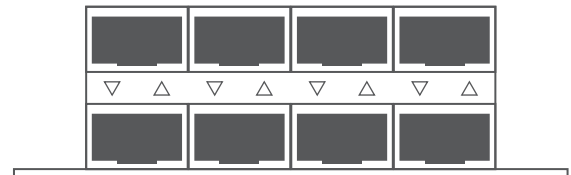
► Order Information

R472B 2x Intel® I350-AM4, PCIe Gen 2 switch IDT 89HPES16T4AG2, 8x 1GbE SFP Fiber, Ports Sequence Right to Left

► Block Diagram



► LED



LED	State	Description
LAN LED (LNK/ACT)	Green ■	Link: Always on Active: Blinking