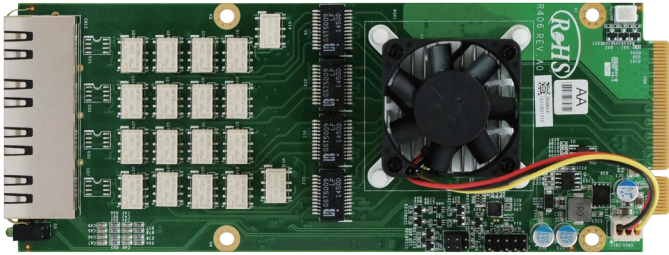


# R406

## Network Expansion Module



### ► Features

- 1x Intel® I350-AM4
- 4x 1GbE RJ45 Ports
- 2 Pairs Gen 3 Bypass(Optional)
- Support VMDq, SR-IOV



### ► Introduction

AEWIN R406 Network Expansion Module is built upon the venerable Intel® I350-AM4 chipset, featuring 4x 1GbE RJ45 ports. Available with 2 pairs Bypass ports to fit into different networking requirements. SR-IOV functionality is enabled to offer DMA access for virtual machines.

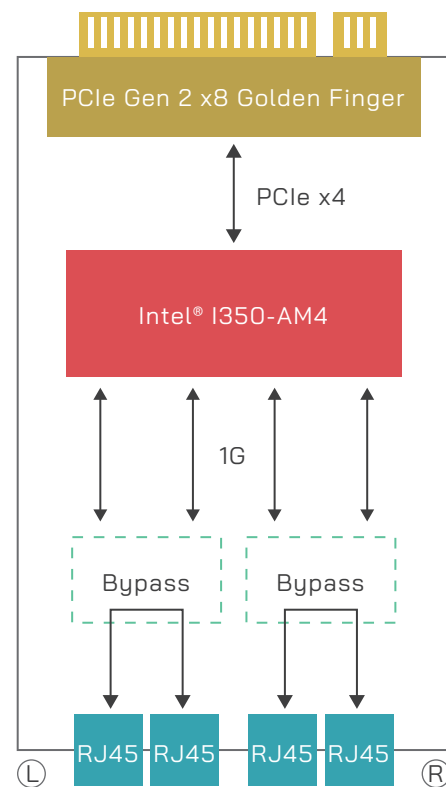
### ► Specification

Platform	
Form Factor	AEWIN Expansion Module
LAN Controller	1x Intel® I350-AM4
LAN Switch	-
Features	VMDq, SR-IOV
Ethernet Port	4x 1GbE RJ45 Ports
Bypass	2 Pairs Gen 3 Bypass(Optional)
Bus Type	PCIe Gen 2 x8
Mechanical	
Dimension(W x D x H): 74 x 194 x 29 mm	
Weight(with tray): 328g	
Weight(without tray): 138g	
Environmental	
Operating Environment	Temperature: 0-45°C(32-113°F) Humidity: 20-90% RH
Storage Environment	Temperature: 0 -70°C(14-158°F) Humidity: 5-95% RH @ 55°C
OS Support	Windows, Linux, FreeBSD

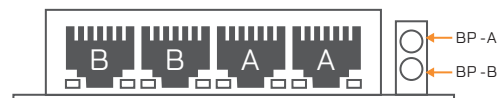
### ► Order Information

R406A	4x 1GbE RJ45 Copper, 2 Pairs LAN Bypass, Ports Sequence Right to Left
R406AL	4x 1GbE RJ45 Copper, 2 Pairs LAN Bypass, Ports Sequence Left to Right
R406B	4x 1GbE RJ45 Copper, Ports Sequence Right to Left
R406BL	4x 1GbE RJ45 Copper, Ports Sequence Left to Right

### ► Block Diagram



### ► LED



LED	State	Description
Left LAN LED (LNK/ACT)	Green <input checked="" type="checkbox"/> (Blink)	Active
	Off <input type="checkbox"/>	No connection
Right LAN LED (Speed)	Green <input checked="" type="checkbox"/>	1Gbps data rate
	Yellow <input checked="" type="checkbox"/>	100Mbps data rate
	Off <input type="checkbox"/>	10Mbps data rate or no connection
Bypass LED	Green <input checked="" type="checkbox"/>	Bypass enabled