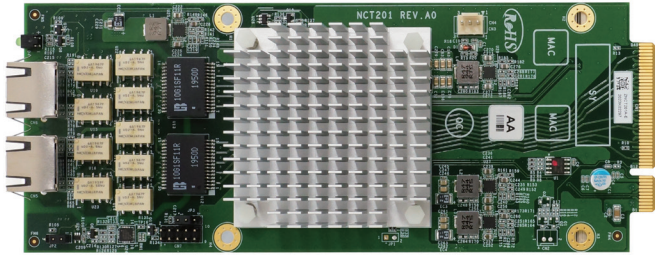


NCT201



► Features

- 1x Intel® X550-BT2
- 2x 10GbE RJ45 Ports
- 1 Pair Gen 3 Bypass
- Support iSCSI, FCoE, VMDq, SR-IOV



► Introduction

AEWIN NCT201 Network Expansion Module is built upon the Intel® X550-BT2 chipset, featuring 2x 10GbE RJ45 ports. Available with 1 Pair Bypass ports to fit into different networking requirements. SR-IOV functionality is enabled to offer DMA access for virtual machines.

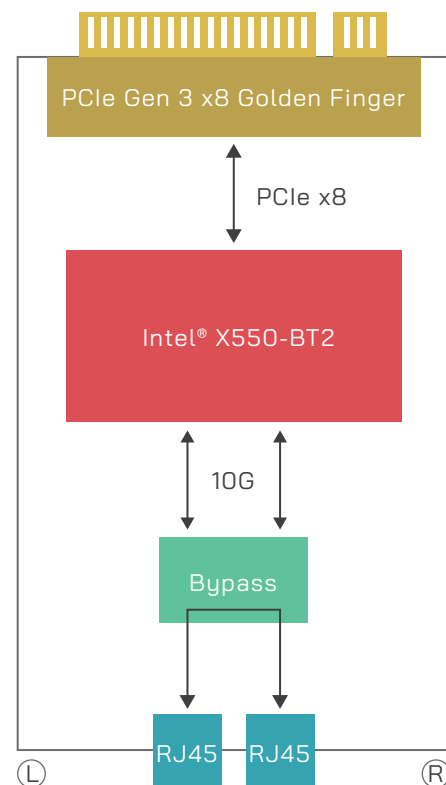
► Specification

Platform	
Form Factor	AEWIN Expansion Module
LAN Controller	1x Intel® X550-BT2
LAN Switch	-
Features	iSCSI, FCoE, VMDq, SR-IOV
Ethernet Port	2x 10GbE RJ45 Ports
Bypass	1 Pair Gen 3 Bypass
Bus Type	PCIe Gen 3 x8
Mechanical	
Dimension(W x D x H): 74 x 194 x 29 mm	
Weight(with tray): 340g Weight(without tray): 150g	
Environmental	
Operating Environment	Temperature: 0-45°C(32-113°F) Humidity: 20-90% RH
Storage Environment	Temperature: 0 -70°C(14-158°F) Humidity: 5-95% RH @ 55°C
OS Support	Windows, Linux, FreeBSD

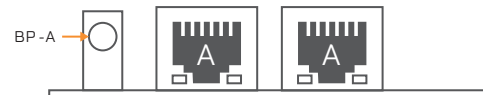
► Order Information

NCT201A
1x Intel® X550-BT2,
2x 10GbE RJ45 Copper,
1 Pair Gen 3 Bypass,
Ports Sequence Right to Left

► Block Diagram



► LED



LED	State	Description
Left LAN LED (LNK/ACT)	Green ■	Link: Always on Active: Blinking
Right LAN LED (Speed)	Green ■	10 Gbps data rate
	Orange ■	1 Gbps data rate
Bypass LED	Green ■	Bypass enabled