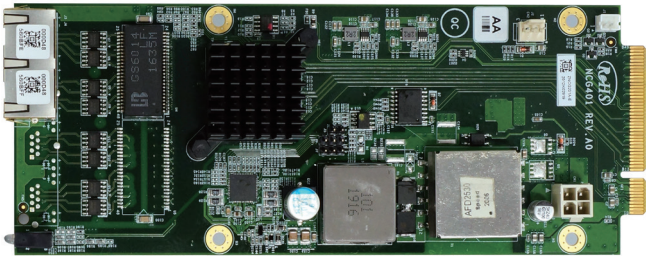


NCG201



► Features

- 1x Intel® I350-AM2
- 2x 1GbE RJ45 Ports with PoE+
- Support VMDq, SR-IOV



► Introduction

AEWIN NCG201 Network Expansion Module is built upon the venerable Intel® I350 chipset, featuring 2x 1GbE RJ45 PoE+ enabled ports that supplies up to 30W per port. SR-IOV functionality is enabled to offer DMA access for virtual machines.

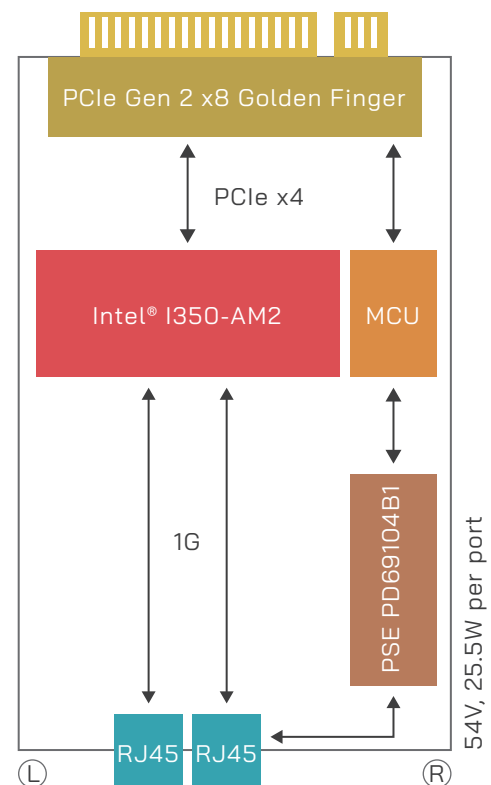
► Specification

Platform	
Form Factor	AEWIN Expansion Module
LAN Controller	1x Intel® I350-AM2
LAN Switch	-
Features	VMDq, SR-IOV
Ethernet Port	2x 1GbE RJ45 Ports with PoE+
PoE Protocol	IEEE 802.3at, 54V/30W
PoE Output	54V/25.5W per port
Bypass	-
Bus Type	PCIe Gen 2 x8
Mechanical	
Dimension(W x D x H): 74 x 194 x 29 mm	
Weight(with tray): 360g Weight(without tray): 170g	
Environmental	
Operating Environment	Temperature: 0-45°C(32-113°F) Humidity: 20-90% RH
Storage Environment	Temperature: 0 -70°C(14-158°F) Humidity: 5-95% RH @ 55°C
OS Support	Windows, Linux, FreeBSD

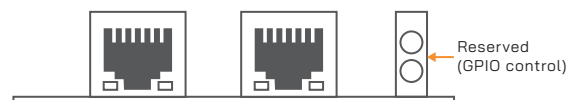
► Order Information

NCG201A 1x Intel® I350-AM4,
2x 1GbE RJ45 Copper with POE+,
Ports Sequence Right to Left

► Block Diagram



► LED



LED	State	Description
Left LAN LED (LNK/ACT)	Green ■	Link: Always on Active: Blinking
	Orange ■	1 Gbps data rate
Right LAN LED (Speed)	Green ■	100 Mbps data rate
	Off 	10 Mbps data rate or below