

OT001/OT002



► Features

- Intel® C626/C627 PCH
- 4x 10GbE SFP+ Ports (optional)
- Intel® QAT for Crypto and Compression, Acceleration up to 100Gbps

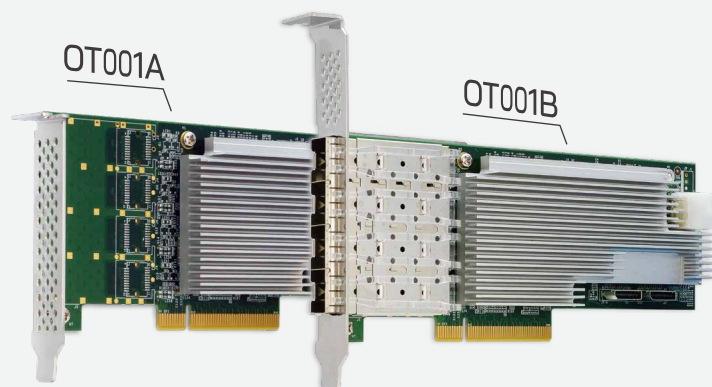


► Introduction

AEWIN is ready to accelerate cryptography and compression workloads with latest Intel® QuickAssist Technology enabled adaptor. Powered by Intel C626 and C627 chipset, AEWIN OT001 and OT002 are designed to offer hardware acceleration in compute intensive tasks, such as encryption and compression workloads, freeing up CPU for additional tasks.

Utilizing the widely supported QuickAssist API, these adaptors can enable additional layer of security through a variety of cryptographic algorithms, such as RSA, AES, and KASUMI. OT001 and OT002 provides up to 40Gbps and 100Gbps throughput in AES128 respectively, and up to 197k and 472k ops/sec in RSA. Additionally, they can be used to compress data to free up congested network bandwidth, or reduce storage requirements.

AEWIN's new QAT adaptors are standard half-height, half-length PCIe form factor with PCIe Gen 3 x8 connection to the host. Optionally equipped with 4x 10GbE SFP+ LAN ports, it extends the security and connectivity of your system. Please contact AEWIN sales representatives and see how to integrate QAT into your AEWIN servers.



► Specification

Platform

Form Factor	Standard PCIe Card
LAN Controller	Intel® C626/C627 PCH
Features	Intel® QuickAssist Technology for Crypto and Compression, Acceleration up to 100Gbps
Ethernet Port	4x 10GbE SFP+ Ports (optional)
Bypass	-
Bus Type	PCIe Gen3 x8 and available Ext. x16
PCIe Voltage	+12V
Power Consumption	23W/28.6W

Power Consumption	Passive Heatsink (55°C at air velocity 200LFM)
-------------------	---

Mechanical	Dimension(W x D x H): 68.9 x 167.65 x 16.07 mm Weight(with tray): 390g Weight(without tray): 200g
------------	--

Environmental

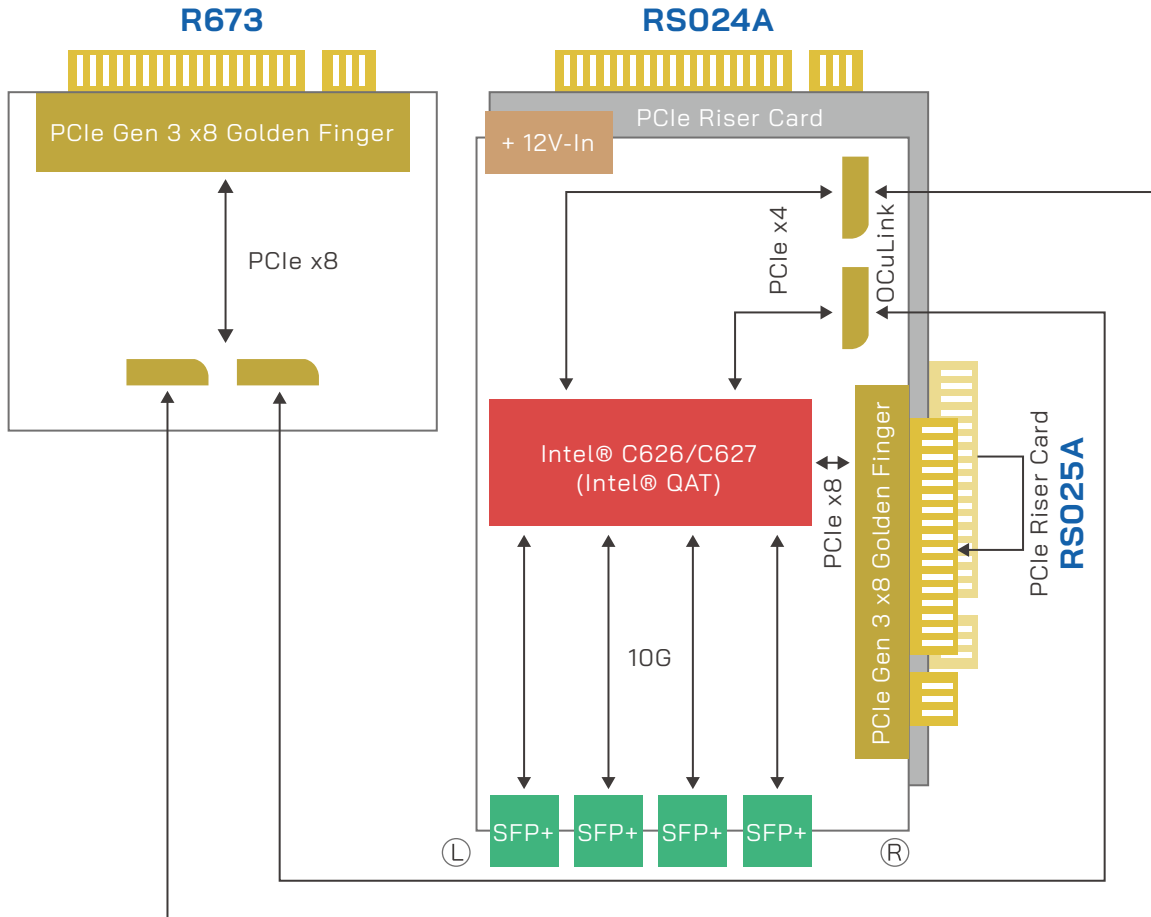
Operating Environment	Temperature: 0-55°C(32-131°F) Humidity: 20-90% RH
Storage Environment	Temperature: 0 -70°C(14-158°F) Humidity: 5-95% RH @ 55°C
OS Support	Windows, Linux, FreeBSD

► Order Information

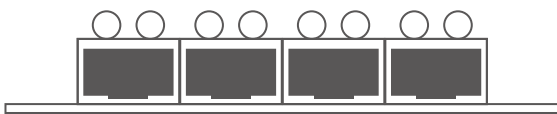
OT001A	1x Intel® C626 PCH, Expansion module for QAT without LAN Port
OT001B	1x Intel® C626 PCH, Expansion module for QAT with 4x 10GbE SFP+ Ports
OT002A	1x Intel® C627 PCH, Expansion module for QAT without LAN Port
OT002B	1x Intel® C627 PCH, Expansion module for QAT with 4x 10GbE SFP+ Ports

OT001/OT002

► Block Diagram



► LED



LED	State	Description
Left LAN LED (LNK/ACT)	Green ■	Link: Always on
Right LAN LED (Speed)	Green ■	Active: Blinking

► RS024A & RS025A

RS024A and RS025A combined with R673 allows OT001/OT002 to be installed in the front Expansion Module slots.